

# SPIN 250

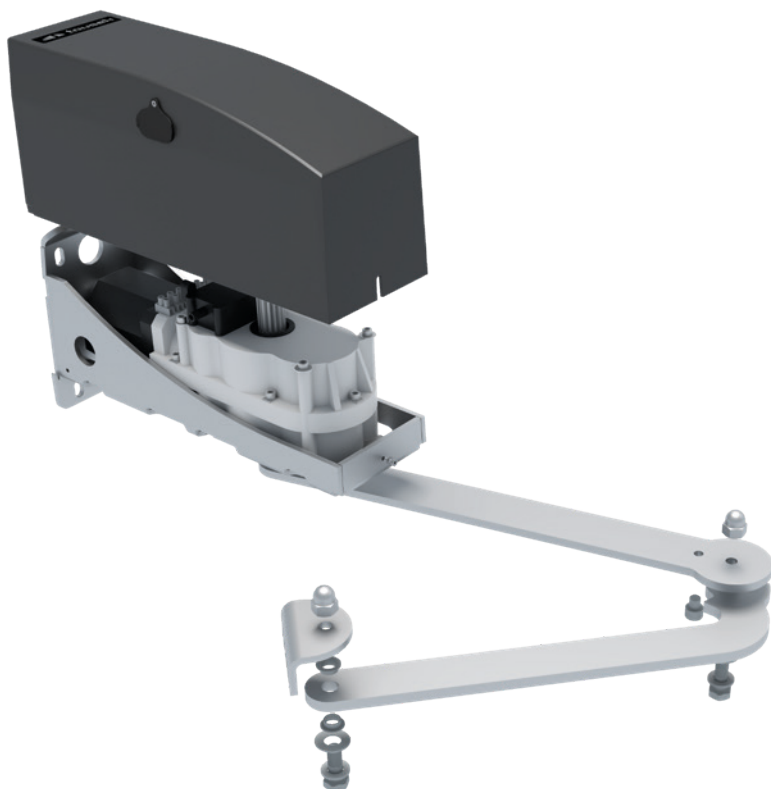
Swing Gate Operator - complex & strong



**tousek**<sup>®</sup>  
G A T E A U T O M A T I O N

QUALITY PRODUCTS  
FROM AUSTRIA

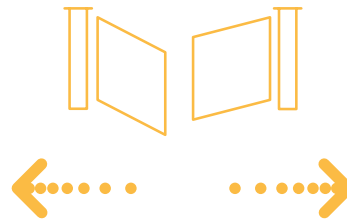
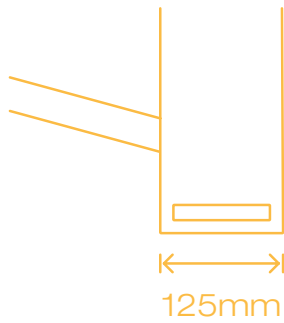
# Electromechanical operators for all types of residential swing gates



## Kit includes

- 2 operators
- 1 control unit ST 61
- 1 receiver RS 868 2-channel
- 2 transmitters RS 868-4M, 4-channel
- 1 pair photocells LS180
- 1 signal lamp LED
- 1 detailed installation manual





### Slim design

Due to the reduced design of the motor, your gate really comes into its own. Thanks to its slim design of only 125mm, the SPIN 250 can even be mounted on small gate columns and is therefore particularly suitable for very narrow entrances.

### Soft-stop and soft-start

In combination with the ST 61 control unit, the operator stops and accelerates in both directions at a reduced speed. In addition to a safe and harmonious gate movement, the entire mechanics of the gate and operator are also protected.



### 8 languages

Clear text menu in 8 languages, programmable via 4 buttons. In den Sprachen DE, EN, ES, CZ, PL, FR, IT, NL.



### Tousek Connect

Set parameters, read memory and search for failures. Simple via smartphone - no matter where you are. Fast and competent support for your clients.



### Tousek Service Interface

The most stylish solution for communication between operator and computer. The self-explanatory user guide for programming of the control unit literally supersedes reading a manual.



### Safety Sensor

A high-resolution sensor monitors engine speed and power for maximum safety and comfort.



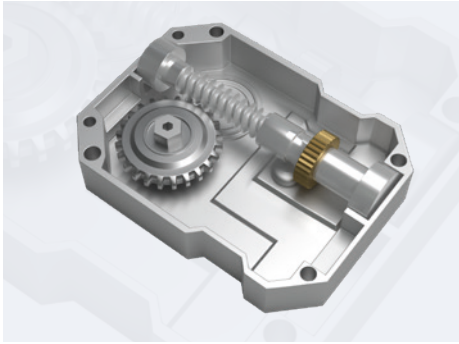
### Green Safe

Save energy! When in standby mode the intelligent control switches off unused devices and thus achieves an extremely low power consumption in standby mode! This saves valuable energy.



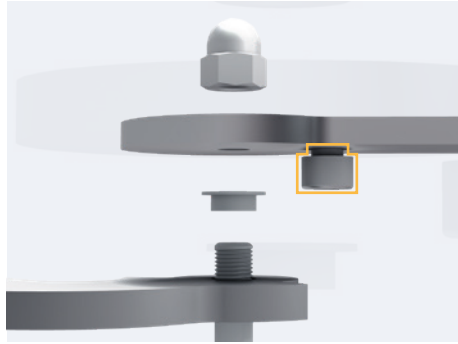
**SPIN 250**





### Electromechanic operator

The massive four-stage full metal gearbox is generously dimensioned for safe power transmission and many years of operation and designed for high reliability.



### Self-locking articulated arm

Thanks to a sophisticated joint construction in the motor arm, the closed holding force of the SPIN 250 is significantly increased and in many cases eliminates the need for an electric lock.



### Emergency release

The self-locking gear ensures that the gate is locked in any position. This can be easily unlocked and enables the gate to be opened and closed conveniently by hand.



### Control unit ST 61

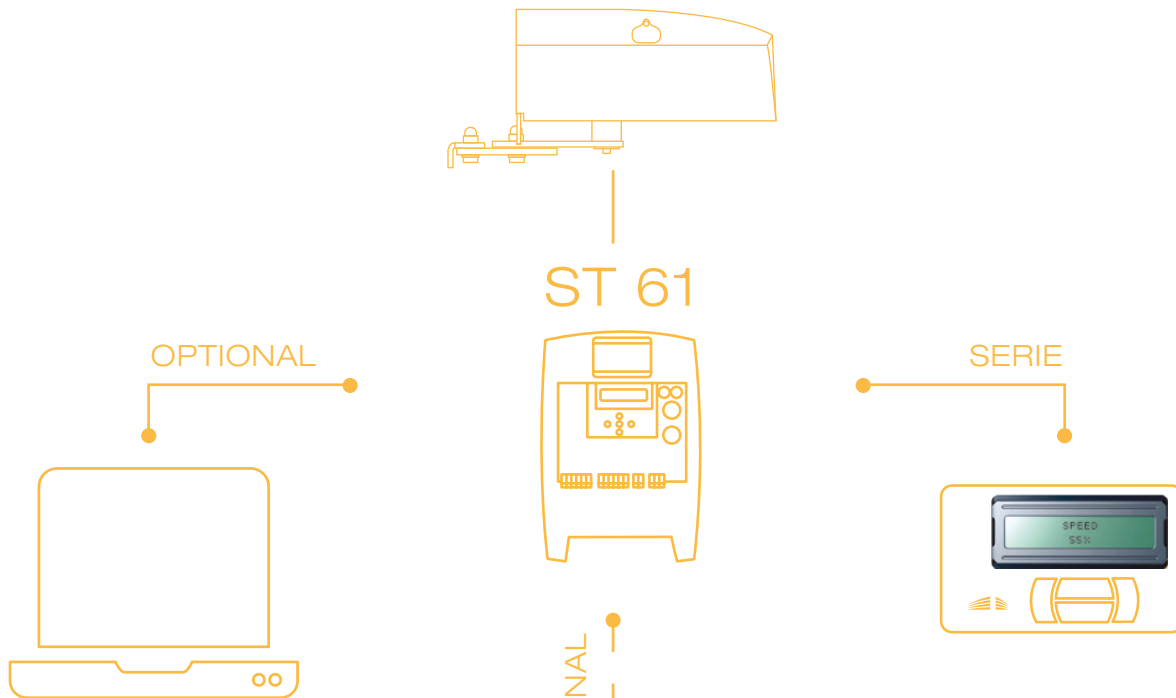
- Large, illuminated LC-Display (2 x 16 characters)
- Clear text menu programmable through 4 buttons
- Selectable operating modes (impulse, automatic, deadman)
- Speed encoder input
- Adjustable soft-stop and soft-start
- Slot for pluggable radio receiver
- Direct connection of 8,2 k $\Omega$  safety sensing edges separated (inside/outside)
- Status display for safety and impulse inputs
- Self-monitoring of the photocell
- Downloadable memory of the last 800 cycles

SPIN 250	with arm A1*	with arm A2*
Gate weight	200 kg	200 kg
Max. leaf width	2,5m	1,75m
Opening speed	9°/s	9°/s
Usage	Private area	Private area
Power supply	230V	230V
Max. opening angle	120°	100°
Torque	280Nm	280Nm

\* For exact dimensions, please refer to the mounting- and installation manual.

# Programming of **ST 61**

Tomorrow's operator can do more than just open and close the gate.  
He is part of the digital world.



## Tousek service interface



- very practical, you can access all the relevant information on-site via your computer
- all the information is convenient and comfortable visible at a glance
- possible software-updates are accessible via internet

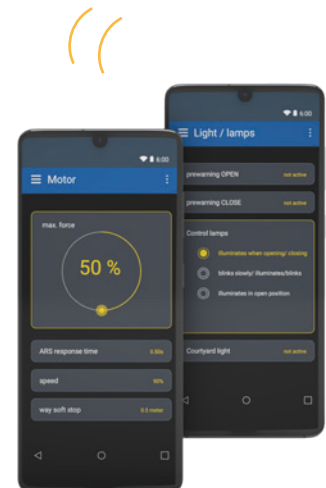
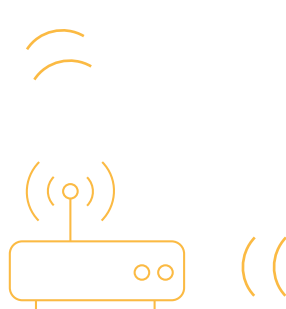
## programmable on LCD screen with four buttons

- A two-line illuminated display with clear text menu is integrated on each operator.
- The settings of the control unit are so simple and comfortable like never before.
- Programming and troubleshooting will be much easier for the user.

## Tousek connect



- With the tousek connect, you can turn any smartphone into an extended user interface of the operator.
- Any time and from every place you can have a comfortable access to all the data and functions of the control unit.
- Therefore you can have a precise insight of what happened in the past and you can more easily and rapidly support your clients.



## Recommended accessories:



Motorized drop bolt Safelock



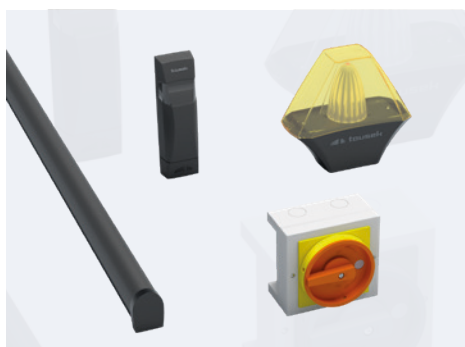
Articulated arms A1 and A2

L = 350mm + 430mm (A1)

L = 210mm + 430mm (A2)



Emergency release with Bowden cable



### Safety devices

In addition to the usual high safety standards of Tousek motors, you can also expand your gate system with photo cells for contact-free vehicle detection and contact strips for personal protection. In addition, a bright LED flashing lamp can be used to warn people in the area of the gate system.



### Radio system

Tousek supplies a wide range of different radio receivers. Whether 12V, 24V or 230V supply, whether 1 or multi-channel or in the housing or pluggable. Any combination is possible. You can also choose from different hand-held and wall-mounted transmitters for operation.



### LED

Bright LEDs for lighting the gate area or the entrance. Starts simultaneously with the gate movement and an switch-off automatic for 5s - 15min, also controllable via the transmitter. Continuous light that can be dimmed in four stages for more safety. Connection for external motion detectors or buttons. Optional brightness sensor, radio and battery operated.



# 47 YEARS

For more than 45 years, we have been developing high-quality gate drives and accessories. Our success proves us right: thanks to the professional trained staff, a wide and innovative product range and an extensive service we now belong to the international top class. We constantly try to improve our technical advantages through the development of new products. We obviously pay attention to the strict observance of rigorous production standards: the narrowest production tolerances and their constant monitoring are a matter of course for us.

## www.tousek.com



**tousek Ges.m.b.H. Austria - headquarters**  
[www.tousek.at](http://www.tousek.at)



**tousek GmbH Germany**  
[www.tousek.de](http://www.tousek.de)

**tousek Sp. z. o.o Poland**  
[www.tousek.pl](http://www.tousek.pl)

**tousek NV Benelux**  
[www.tousek.com](http://www.tousek.com)



## tousek PRODUCTS

- ▲ sliding gate operators
- ▲ swing gate operators
- ▲ garage door operators
- ▲ folding door operators
- ▲ traffic barriers
- ▲ carpark management system
- ▲ electronic controls
- ▲ radio remote controls
- ▲ key operated switches
- ▲ access control
- ▲ safety devices

### tousek Ges.m.b.H. headquarters

A-1230 Wien, Zetschegasse 1  
Tel: +43/ 1/ 667 36 01  
Email: [info@tousek.at](mailto:info@tousek.at)

### tousek GmbH

D-83395 Freilassing  
Traunsteiner Straße 12  
Tel: +49/ 8654/ 77 66 - 0  
Email: [info@tousek.de](mailto:info@tousek.de)

### tousek Benelux NV

B-3930 Hamont-Achel  
Buitenheide 2A / 1  
Tel: +32 11 91 61 60  
Email: [info@tousek.be](mailto:info@tousek.be)

### tousek Sp. z o.o.

PL-43-190 Mikołów (k/Katowice)  
Gliwicka 67  
Tel: +48/ 32/ 738 53 65  
Email: [info@tousek.pl](mailto:info@tousek.pl)

### tousek s.r.o.

CZ-25261 Jeneč u Prahy,  
Průmyslová 499  
Tel: +420 777 751 730  
Email: [info@tousek.cz](mailto:info@tousek.cz)



QUALITY PRODUCTS FROM AUSTRIA



# tousek®

G A T E A U T O M A T I O N

All the content are protected by copyright law.  
Reprinting and digital duplication, even as excerpts, are only permitted with our prior written consent.

Please note that the safety devices mentioned in this brochure are only examples.  
They are no guidelines relating to the safety regulations. The local safety regulations must be observed before installation!