

SONIC 24

swing gate operator - fast & elegant



QUALITY PRODUCTS
FROM AUSTRIA



tousek[®]
G A T E A U T O M A T I O N

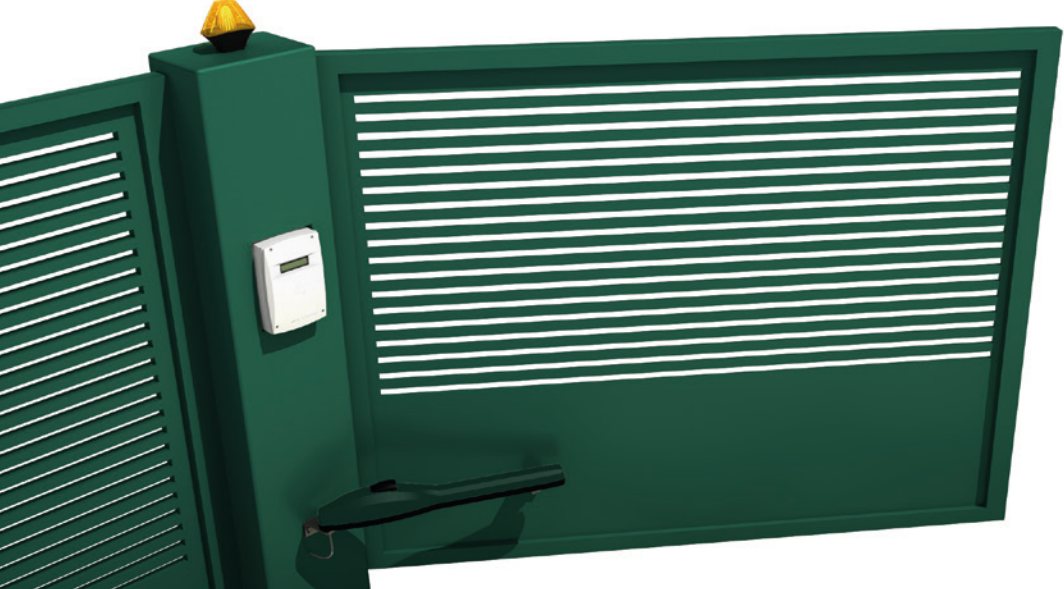
3 colours available as standard
anthracite grey, pure white and moss green



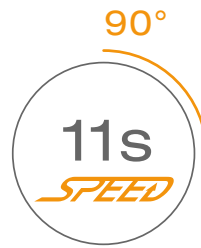
similar to
RAL 7016



similar to
RAL 9010



similar to
RAL 6005



24V technology

The particularly quiet operating DC motor ensures smooth gate movement.

speed

super fast, incredible 11s for 90°, up to 70% faster than conventional operators



6 languages

Clear text menu in 6 languages, programmable via 4 buttons. Available languages: DE, EN, CZ, PL, FR, NL.



Tousek Connect

Set parameters, read memory and search for failures. Simple via smartphone - no matter where you are. Fast and competent support for your clients.



Tousek Service Interface

The most stylish solution for communication between operator and computer. The self-explanatory user guide for programming of the control unit literally supersedes reading a manual.



Safety Sensor

A high-resolution sensor monitors engine speed and power for maximum safety and comfort.



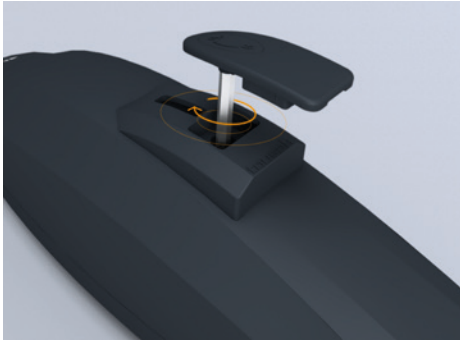
Green Safe

Save energy! When in standby mode the intelligent control switches off unused devices and thus achieves an extremely low power consumption in standby mode! This saves valuable energy.



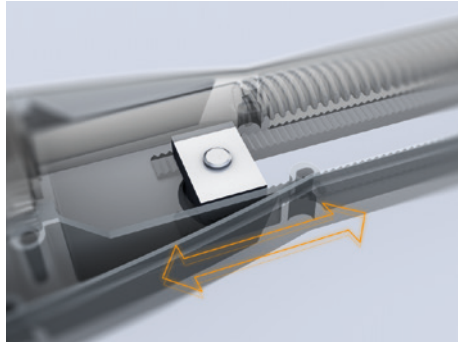
SONIC 24





Emergency release

Comfortable and easy



Mechanical limit stop

Internal mechanical limit stop for OPEN position as standard.
For CLOSED position optional.



Connection cable

One 4-pole cable for sensor and motor supply, connection cable centered in the column-side pintle (hollow shaft)

Control unit ST 24

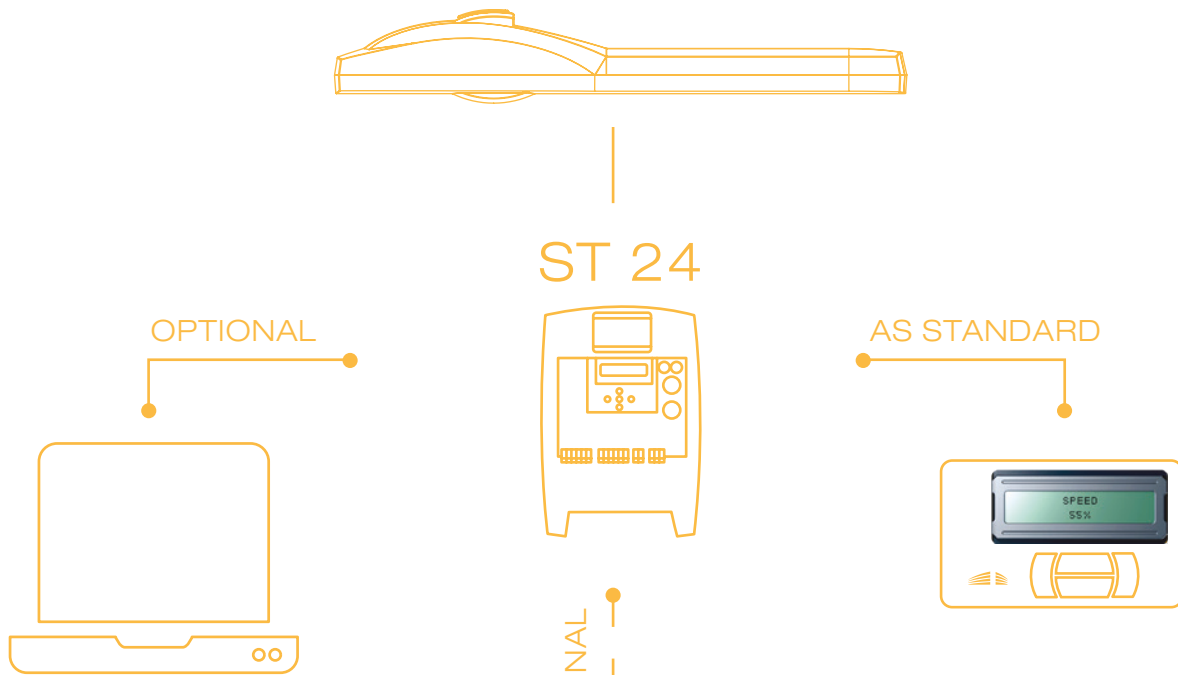
- Large illuminated LC display with clear text menu (2x16 character)
- Clear text menu programmable via 4 buttons
- Integrated radio receiver RS868 MHz, 2-channel, manageable via display



Max. gate weight	200kg
Max. gate width	2,5m
Application	private use
Motor voltage	24V
Lifting-, rotation speed	30mm/s
Max. thrust force	2000N
Max. working stroke	380mm
Max. opening angle	100°
Internal adjustable limit stop	●
Blocking in OPEN / CLOSED position	●
Speed sensor	●
Force adjustment via control unit	●
Emergency release	●

Programming **the control unit ST 24**

Tomorrow's gate operator is designed for more than only opening and closing the gate. It is part of the digital world.



Tousek service interface



- Practical as you can access through your computer on-site to all important data and parameters.
- All information is easy and comfortable visible at a glance.
- Possible software updates are available on the internet.

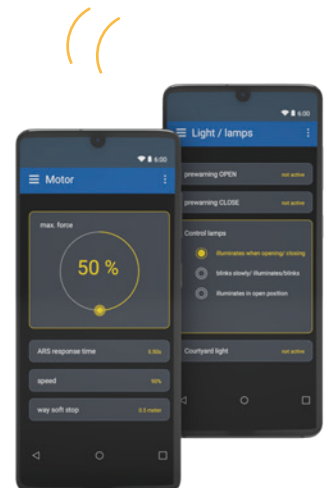
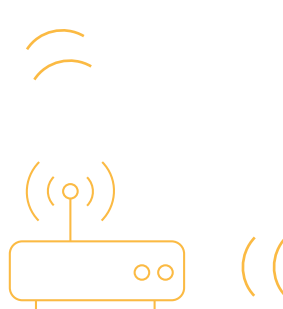
programmable via LCD and four buttons

- One double-spaced illuminated display with clear text menu is integrated in each control unit as standard.
- Control unit programming as easy and comfortable as never before.
- Programming and searching for failures in everyday life will be easier for the user.

Tousek connect



- With the tousek connect you can turn any smartphone into an extended user interface of the operator.
- At any time and from everywhere you can have a comfortable access to all the data and functions of the control unit.
- Furthermore you can look in real time and into the past, making it even easier and faster to support your customers.



Optional accessories:



Transmitter

The elegant tousek-transmitter works with "rolling code" technology. Each time you push the button a new code is generated, in order to ensure highest safety. Each code may be used only once to avoid copying by strangers.



Radio system

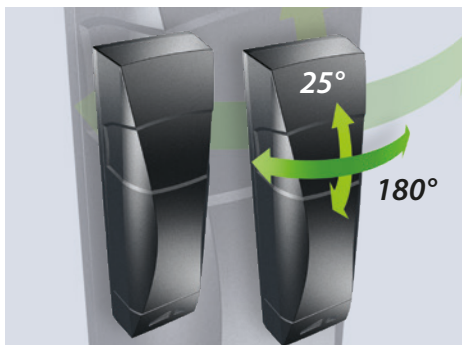
Tousek supplies a wide range of different radio receivers. Whether 12V, 24V or 230V supply, whether 1 or multi-channel or in the housing or pluggable. Any combination is possible. You can also choose from different hand-held and wall-mounted transmitters for operation.



Convenient and easy

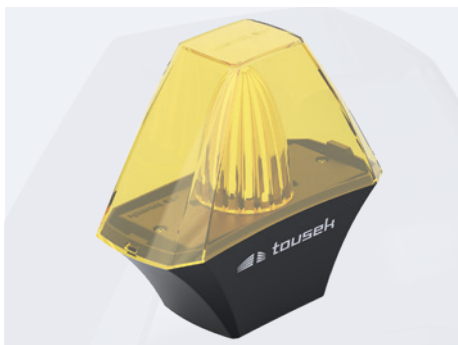
Operate your gate and check if it is open or closed, no matter where you currently are. In a car, office or on the beach, you can access your gate from anywhere if you have internet connection.

Available from 2020.



Photocell

Can be mounted right next to the gate, so perfectly applicable for non-contact vehicle detection and/or as (additional) safety device. Tilttable lens 180° for LS180.



LED signal lamp

The bright flashing and at the same time economical signal lamp informs always reliable about a forthcoming gate movement. Thanks to the modern LED technology changing the light bulbs is a thing of the past.



LED

Bright LEDs for lighting the gate area or the entrance. Starts simultaneously with the gate movement and an switch-off automatic for 5s - 15min, also controllable via the transmitter. Continuous light that can be dimmed in four stages for more safety. Connection for external motion detectors or buttons. Optional brightness sensor, radio and battery operated.

47 YEARS

For more than 45 years, we have been developing high-quality gate drives and accessories. Our success proves us right: thanks to the professional trained staff, a wide and innovative product range and an extensive service we now belong to the international top class. We constantly try to improve our technical advantages through the development of new products. We obviously pay attention to the strict observance of rigorous production standards: the narrowest production tolerances and their constant monitoring are a matter of course for us.

www.tousek.com



tousek Ges.m.b.H. Austria - headquarters
www.tousek.at



tousek GmbH Germany
www.tousek.de

tousek Sp. z. o.o Poland
www.tousek.pl

tousek NV Benelux
www.tousek.com



tousek PRODUCTS

- ▲ sliding gate operators
- ▲ swing gate operators
- ▲ garage door operators
- ▲ folding door operators
- ▲ traffic barriers
- ▲ carpark management system
- ▲ electronic controls
- ▲ radio remote controls
- ▲ key operated switches
- ▲ access control
- ▲ safety devices

tousek Ges.m.b.H. headquarters

A-1230 Wien, Zetschegasse 1
Tel: +43/ 1/ 667 36 01
Email: info@tousek.at

tousek GmbH

D-83395 Freilassing
Traunsteiner Straße 12
Tel: +49/ 8654/ 77 66 - 0
Email: info@tousek.de

tousek Benelux NV

B-3930 Hamont-Achel
Buitenheide 2A / 1
Tel: +32 11 91 61 60
Email: info@tousek.be

tousek Sp. z o.o.

PL-43-190 Mikołów (k/Katowice)
Gliwicka 67
Tel: +48/ 32/ 738 53 65
Email: info@tousek.pl

tousek s.r.o.

CZ-25261 Jeneč u Prahy,
Průmyslová 499
Tel: +420 777 751 730
Email: info@tousek.cz



QUALITY PRODUCTS FROM AUSTRIA



tousek®

G A T E A U T O M A T I O N

All the content are protected by copyright law.
Reprinting and digital duplication, even as excerpts, are only permitted with our prior written consent.

Please note that the safety devices mentioned in this brochure are only examples.
They are no guidelines relating to the safety regulations. The local safety regulations must be observed before installation!