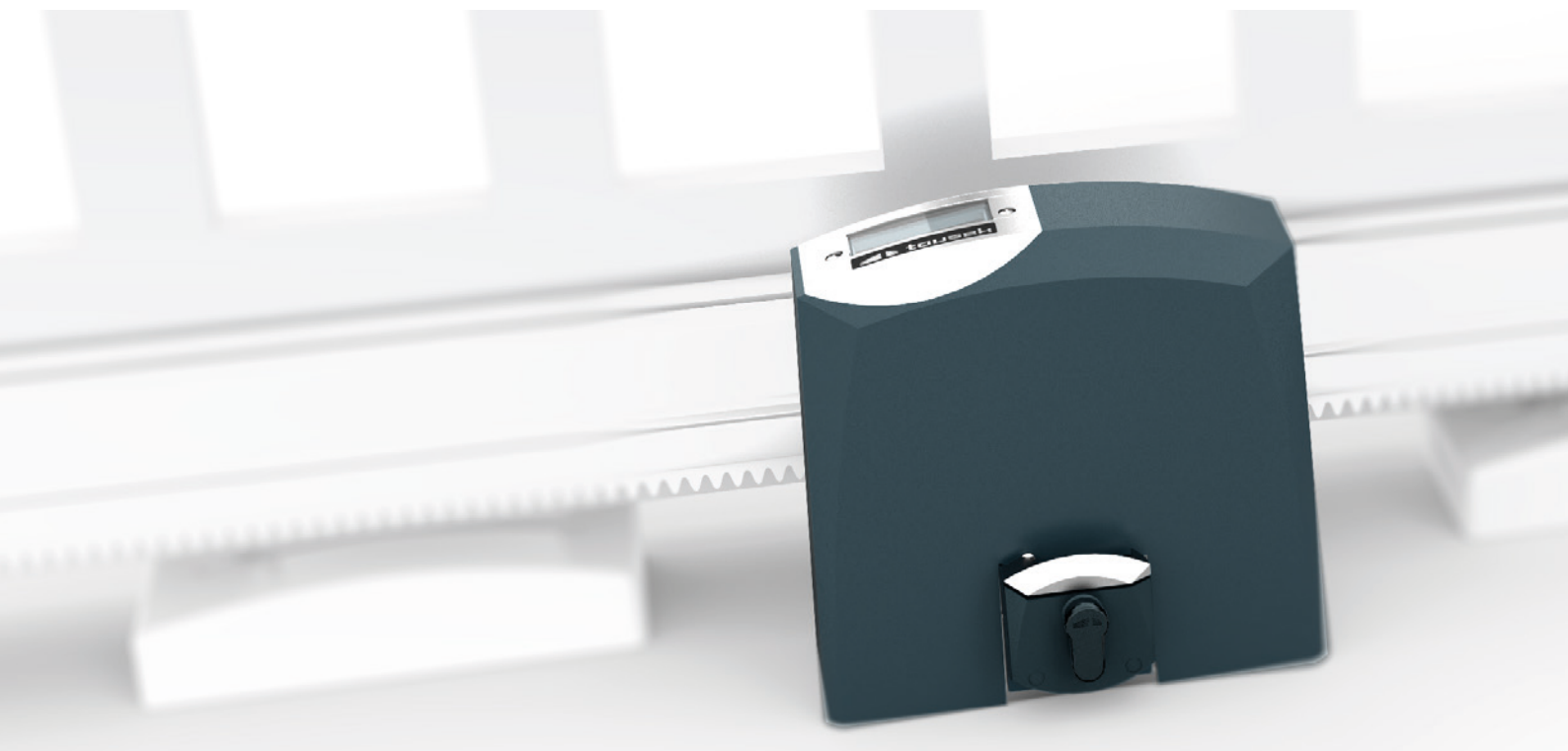


PULL T

Sliding gate operators - dynamic & safe



QUALITY PRODUCTS
FROM AUSTRIA



tousek[®]
G A T E A U T O M A T I O N

Operator for all sliding gate systems



Kit includes

- 1 Operator
- 1 Receiver RS 868 2-channel
- 2 Transmitters RS 868-4M, 4-channel
- 1 Pair photocells LS180
- 1 signal lamp LED
- 1 Detailed installation manual

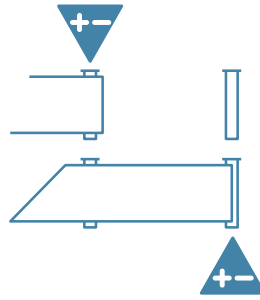


PULL T



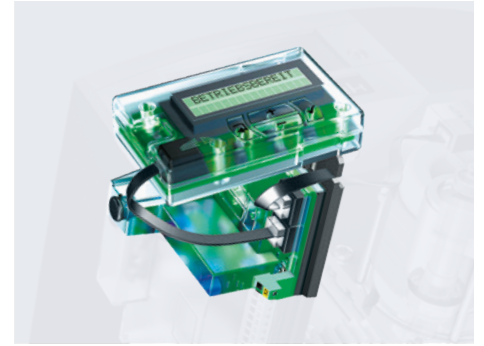
Comfortable intuitive emergency release

Every PULL T is supplied with a profile half cylinder and three keys as standard, so that the emergency release lock can be integrated into an existing locking system.



Pinpoint: technology without limit switches

All models learn the end positions independently during the installation. In addition, you can fine-tune these learned positions and adapt them to your own requirements. Conventional mechanical limits switches, which can freeze during winter, are no longer necessary.



Removable display

With the display, installation and assembly as well as all service and maintenance activities are significantly simplified.



8 languages

Clear text menu in 8 languages, programmable via 4 buttons. In den Sprachen DE, EN, ES, CZ, PL, FR, IT, NL.



Tousek Connect

Set parameters, read memory and search for failures. Simple via smartphone - no matter where you are. Fast and competent support for your clients.



Tousek Service Interface

The most stylish solution for communication between operator and computer. The self-explanatory user guide for programming of the control unit literally supersedes reading a manual.



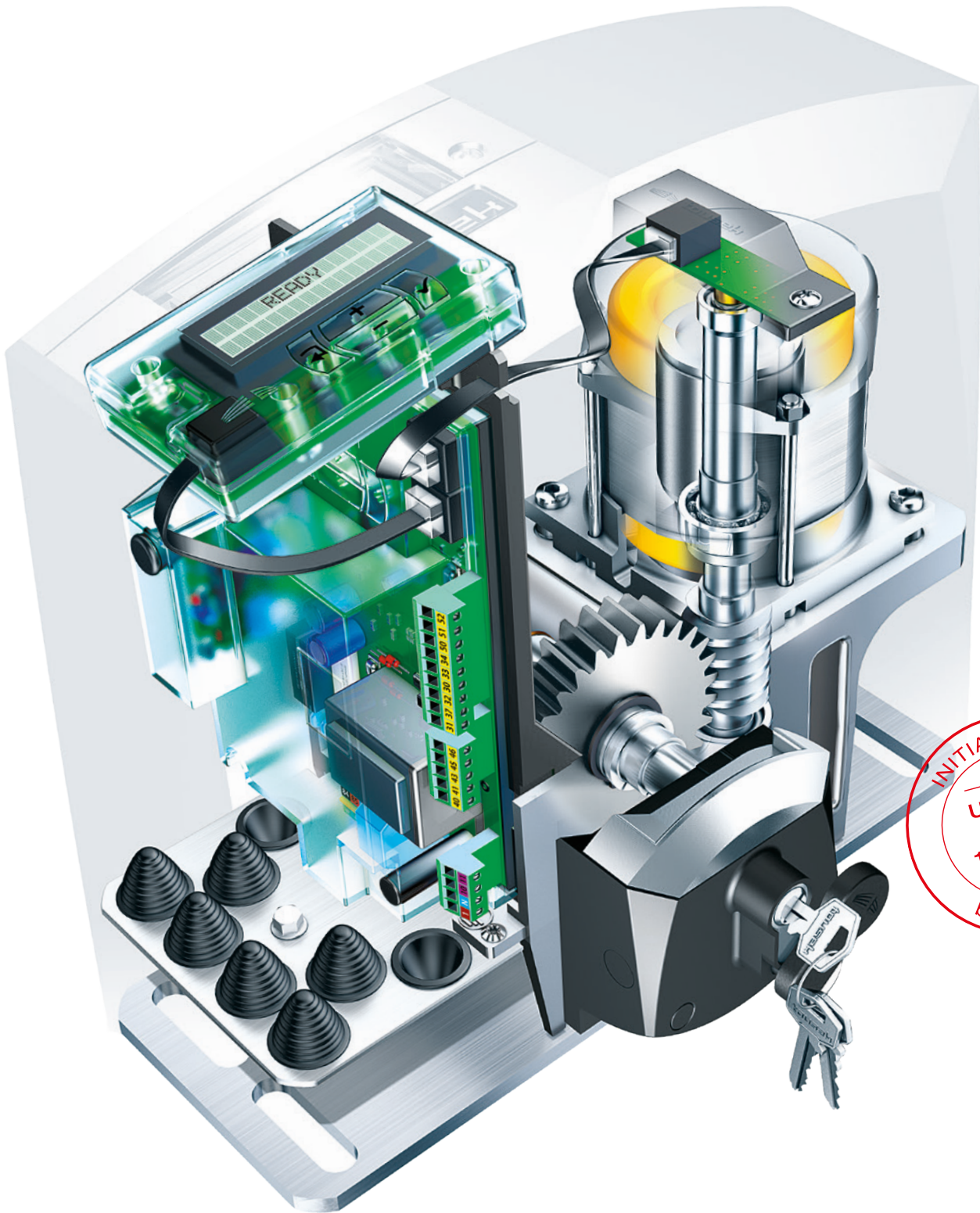
Safety Sensor

A high-resolution sensor monitors engine speed and power for maximum safety and comfort.



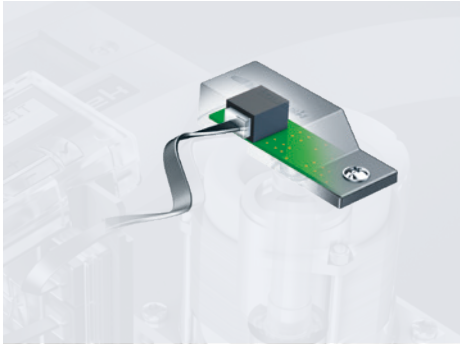
Green Safe

Save energy! When in standby mode the intelligent control switches off unused devices and thus achieves an extremely low power consumption in standby mode! This saves valuable energy.



INITIAL TEST
UNDER
EN
13241-1*
by TÜV-Süd

PULL T



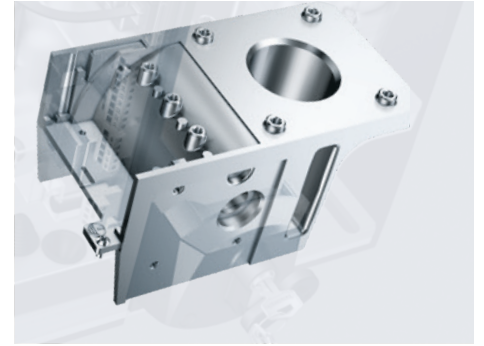
Sensor

The speed encoder of the PULL T receives an unbelievable 6.200 signals per second! In this way, the PULL T can actively regulate the force.



Gearing made of tempered steel

The heart of the PULL T is the extremely robust full metal gearbox. In addition, we only use high-performance branded oil to ensure optimal lubrication even at low temperatures and high use. The result: increased reliability and an even longer service life.



One-piece die-cast aluminium housing

Consists entirely of corrosion-resistant and high-strength aluminium. Since this housing was made in one piece, the torsion and bending strength could be increased significantly. This enables the long-term trouble-free movement of door weights up to 1.500kg.

Control unit PULL T

- Large, illuminated LC-Display (2 x 16 characters)
- Clear text menu programmable through 4 buttons
- Downloadable memory of the last 800 cycles
- Selectable operating modes (impulse, automatic, deadman)
- Slot for pluggable radio receiver
- Direct connection of 8,2kΩ safety sensing edges separated for main and side edge
- Status display for safety and impulse inputs
- Self-monitoring of the photocell
- Adjustable soft stop (distance and speed)
- Optional PULL T8 with directional traffic light control
- Optional master-slave operation with PULL T8 + T10 + T15

Description	Pull T4speed	Pull T5	Pull T8	Pull T10	Pull T15	Pull T24	PullT24speed
Gate weight	400 kg	500 kg	800 kg	1000 kg	1.500 kg	600 kg	400 kg
Max. drive distance	30m	30m	30m	30m	30m	30m	30m
Duty cycle	40%-60% S3	private area	up to 40%	40% - 60%	40% - 60%	40% - 80%	40% -80%
Speed	17,5m/min	11 m/min	11 m/min	9 m/min	9 m/min	13 m/min	16 m/min
Torque	20 Nm	20 Nm	25 Nm	25 Nm	30 Nm	20 Nm	20 Nm
Power supply	230V	230V	230V	230V	230V	24V DC	24V DC
Current consumption	1,6A	1,6A	1,6A	1,9A	2,2A	1,0A	1,0A
approved by TÜV*		500 kg	800 kg	600 kg		350 kg	250 kg

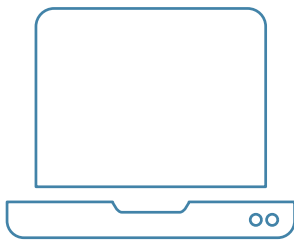
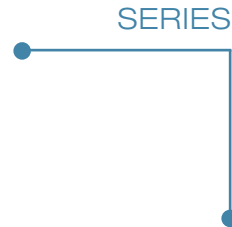
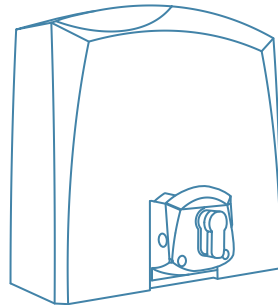
*Initial test in accordance with EN 13241-1 by TÜV-Süd on the basis of EN 12453 and EN 12445.

Up to the specified values, the active contact edge is not required and a passive rubber edge on the main closing edge is sufficient.

Programming of **tousek** control units

Tomorrow's operator can do more than just open and close the gate.
He is part of the digital world.

PULL T



Tousek service interface

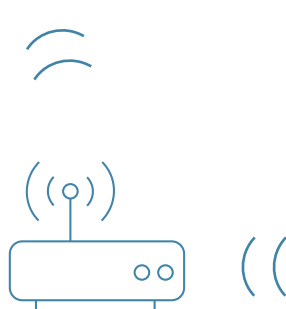


- very practical, you can access all the relevant information on-site via your computer
- all the information is convenient and comfortable visible at a glance
- possible software-updates are accessible via internet

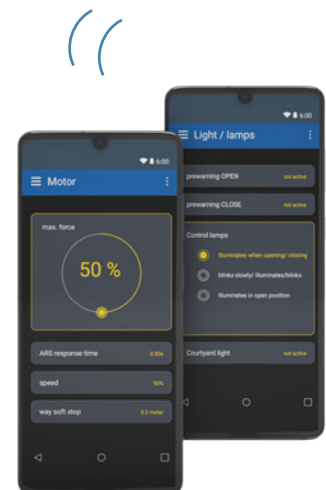
programmable on LCD screen with four buttons

- A two-line illuminated display with clear text menu is integrated on each operator.
- The settings of the control unit are so simple and comfortable like never before.
- Programming and troubleshooting will be much easier for the user.

Tousek connect



- With the tousek connect, you can turn any smartphone into an extended user interface of the operator.
- Any time and from every place you can have a comfortable access to all the data and functions of the control unit.
- Therefore you can have a precise insight of what happened in the past and you can more easily and rapidly support your clients.

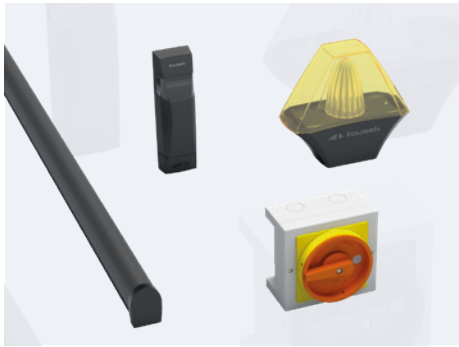


Optional accessories:



LED

Bright LEDs for lighting the gate area or the entrance. Starts simultaneously with the gate movement and an switch-off automatic for 5s - 15min, also controllable via the transmitter. Continuous light that can be dimmed in four stages for more safety. Connection for external motion detectors or buttons. Optional brightness sensor, radio and battery operated.



Safety devices

In addition to the usual high safety standards of Tousek motors, you can also expand your gate system with photo cells for contact-free vehicle detection and contact strips for personal protection. In addition, a bright LED flashing lamp can be used to warn people in the area of the gate system.



Battery

As optional requirement a battery pack for backup use can be integrated directly into the Pull T24 or T24speed. This enables an opening or closing of the gate even without external power supply.



Wireless wall switch

The wireless wall switch is characterized by its flat and elegant design. It can be attached directly to the wall without any effort and is immediately functional.



Radio system

Tousek supplies a wide range of different radio receivers. Whether 12V, 24V or 230V supply, whether 1 or multi-channel or in the housing or pluggable. Any combination is possible. You can also choose from different hand-held and wall-mounted transmitters for operation.



Gear rack

Choose between quiet plastic or solid steel rack. Whether screwable or weldable fastening or insertable into the Aluminium cantilever LWA115. Tousek provides the right solution for every application.

and much more....

- gate status display
- battery for electric remote emergency release
- courtyard lamp module
- mounting console

47 YEARS

For more than 45 years, we have been developing high-quality gate drives and accessories. Our success proves us right: thanks to the professional trained staff, a wide and innovative product range and an extensive service we now belong to the international top class. We constantly try to improve our technical advantages through the development of new products. We obviously pay attention to the strict observance of rigorous production standards: the narrowest production tolerances and their constant monitoring are a matter of course for us.

www.tousek.com



tousek Ges.m.b.H. Austria - headquarters
www.tousek.at



tousek GmbH Germany
www.tousek.de

tousek Sp. z. o.o Poland
www.tousek.pl

tousek NV Benelux
www.tousek.com



QUALITY PRODUCTS FROM AUSTRIA



tousek®

G A T E A U T O M A T I O N



tousek PRODUCTS

- ▲ sliding gate operators
- ▲ swing gate operators
- ▲ garage door operators
- ▲ folding door operators
- ▲ traffic barriers
- ▲ carpark management system
- ▲ electronic controls
- ▲ radio remote controls
- ▲ key operated switches
- ▲ access control
- ▲ safety devices

tousek Ges.m.b.H. headquarters

A-1230 Wien, Zetschegasse 1
Tel: +43/ 1/ 667 36 01
Email: info@tousek.at

tousek GmbH

D-83395 Freilassing
Traunsteiner Straße 12
Tel: +49/ 8654/ 77 66 - 0
Email: info@tousek.de

tousek Benelux NV

B-3930 Hamont-Achel
Buitenheide 2A / 1
Tel: +32 11 91 61 60
Email: info@tousek.be

tousek Sp. z o.o.

PL-43-190 Mikołów (k/Katowice)
Gliwicka 67
Tel: +48/ 32/ 738 53 65
Email: info@tousek.pl

tousek s.r.o.

CZ-25261 Jeneč u Prahy,
Průmyslová 499
Tel: +420 777 751 730
Email: info@tousek.cz

All the content are protected by copyright law.
Reprinting and digital duplication, even as excerpts, are only permitted with our prior written consent.

Please note that the safety devices mentioned in this brochure are only examples.
They are no guidelines relating to the safety regulations. The local safety regulations must be observed before installation!