

Technical information / Planning specification

Travel speed limiter

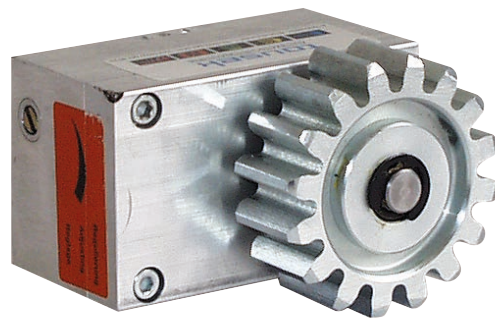


Field of application:

- Travel speed limiters control the travel speed over an unlimited distance. They are used for sliding gates, fire gates, roller tracks and at rope- or chain hoists.
- load up to 7Nm or 12,2Nm (big travel speed limiter)

Main features:

- damping force continuously adjustable with an adjusting screw
- A thermostatic valve compensates temperatures between -15° and +70°C automatically
- massive aluminum housing



www.tousek.com

Tousek Ges.m.b.H. Austria
A-1230 Vienna
Zetschegasse 1
Tel. +43/ 1/ 667 36 01
Fax +43/ 1/ 667 89 23
info@tousek.at

Tousek GmbH Germany
D-83395 Freilassing
Traunsteiner Straße 12
Tel. +49/ 8654/ 77 66-0
Fax +49/ 8654/ 57 196
info@tousek.de

Tousek Benelux NV
BE-3930 Hamont - Achel
Buitenheide 2A/ 1
Tel. +32/ 11/ 91 61 60
Fax +32/ 11/ 96 87 05
info@tousek.be

Tousek Sp. z o.o. Poland
PL 43-190 Mikołów (k/Katowic)
Gliwicka 67
Tel. +48/ 32/ 738 53 65
Fax +48/ 32/ 738 53 66
info@tousek.pl

Tousek s.r.o. Czech Republic
CZ-252 61 Jeneč u Prahy
Průmyslová 499
Tel. +420 / 777 751 730
info@tousek.cz

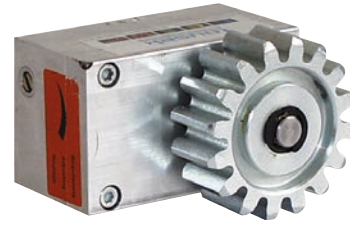
Travel speed limiter

Installation- and operating notes

The dimensioned drawing on the previous page shows the factory set damping- and free wheel direction of the travel speed limiter.

You can change this direction by opening the lock washer, taking off the pinion and putting it on again the other way round. Don't forget to secure the pinion with the lock washer!

With the help of a regulating screw, the limiting force is continuously adjustable. A thermostatic valve compensates temperatures between -15°C and $+70^{\circ}\text{C}$ automatically.



Technical data

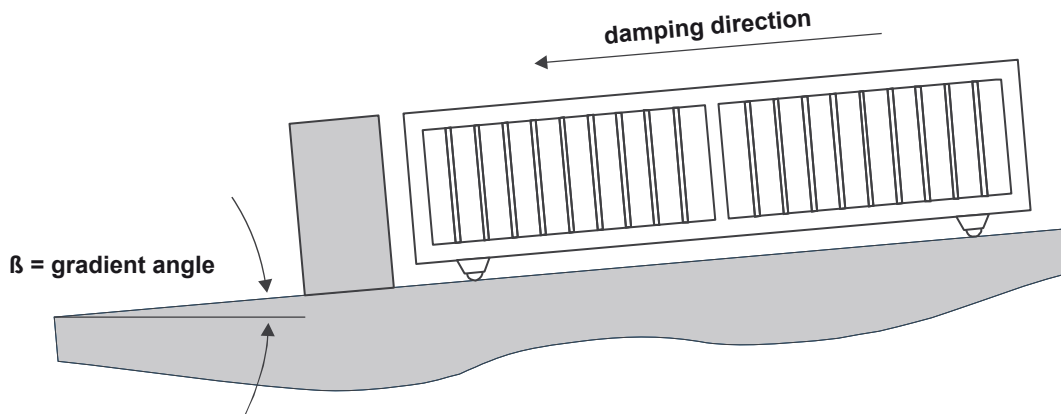
Travel speed limiter	standard travel speed limiter RD241013	double travel speed limiter RD240/241
damping moment	max. 7Nm	max. 12,2Nm
teeth	16 module 4	

Calculation of damper load M

formula:

$$M [\text{Nm}] = G \times \sin \beta \times R$$

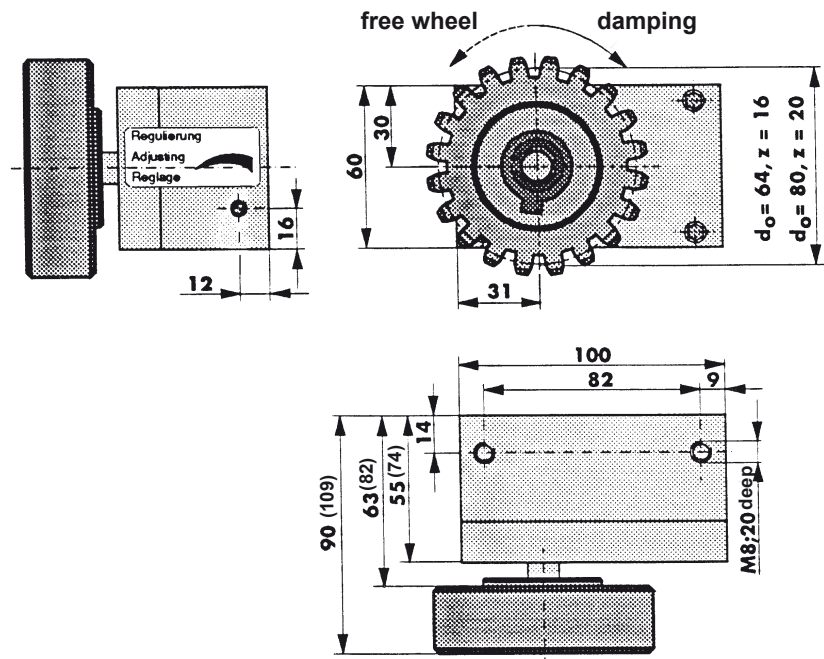
- M damper load (**Important: may not be higher than 7Nm resp. 12,2Nm**)
- G weight in [N]
- β gradient angle
- R radius of pinion
- R=0,032m for z=16



dimensioned drawing

(dimensions in mm)

standard travel speed limiter RD241013 and double travel speed limiter RD240/241 (Note: The dimensions of the double travel speed limiter, which are different to the ones of the standard travel speed limiter, are stated in brackets.)



We reserve the right to change dimensions and technical specifications without prior notice.