

supplementary manual for PULL T

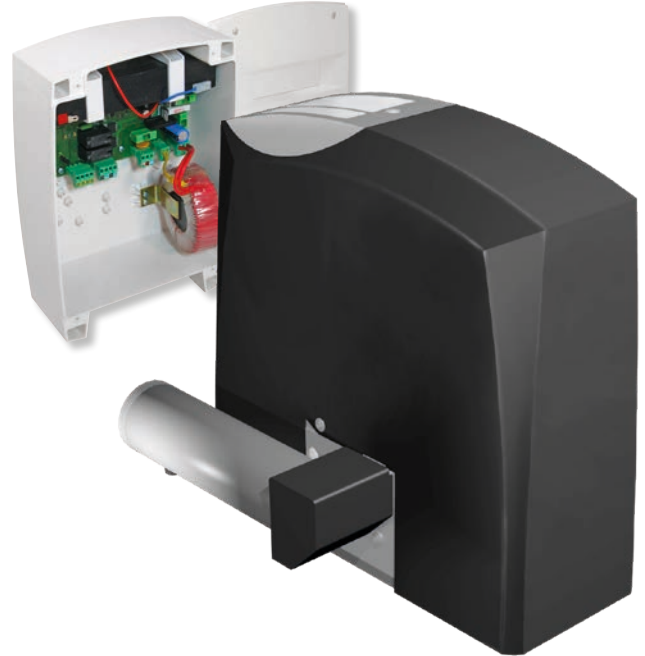
Electric emergency release

Applications:

- the automatic emergency release for the PULL T operators allows manual gate opening in the event of a power failure without first having to perform a manual unlocking.
- mostly required at fire brigade entries

The most important functions at a glance:

- release/lock via impulse button or radio transmitter
- automatic unlocking at main voltage drop selectable
- 24Vd.c. battery to ensure unlocking / locking function with deep discharge protection
- display of current state of emergency release motor by the use of relay
- various modes selectable with fourfold DIP switch
- LED display of the operating state (after first impulse input)
- LED display of battery charge level



Important

- Operator is delivered in unlocked state.
- Operator or emergency release are only allowed to be used with appropriate tousek control board
- **Attention: The use of external power supply (e.g. battery, ...) leads to destruction of emergency release motor!**
- **PLANNING-/ INSTALLATION NOTE: Please consider dimensions of PULL T with electric emergency release!**
- **Not suitable for continuous operation (continuous unlocking / locking)!**



Protection against DEEP DISCHARGE of the accumulator (battery): If the system is to be disconnected from the mains supply for a longer period of time (from one day), it is absolutely necessary to disconnect the rechargeable battery from the control.



Important when locking

Slowly move the gate manually in its travel direction until you can hear the gearing re-engage!

Technical data

electrical emergency release PULL T

control unit

power supply	230V a.c., +/-10% 50Hz	protection class	IP54
emergency release outputs	2 x 80W, 24Vd.c. (PWM)	ambient temperature	- 20°C to + 70°C
unlocking / locking	with 2 impulse emitter inputs or pluggable radio receiver STN 2	article no.	12112160
battery	24Vd.c. (deep discharge protection)		
status display	by the use of relay (contact load 230V/6A): ON= unlocked, OFF= locked		

emergency release motor

power supply	24Vd.c.	article no.	13830050
protection class	IP44		

Electric emergency release

supplementary manual for PULL T

- Before installing the electric emergency release, the manual emergency release of the operator must be dismantled.

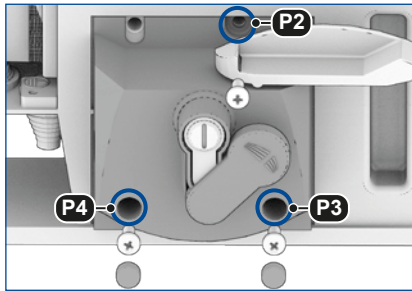
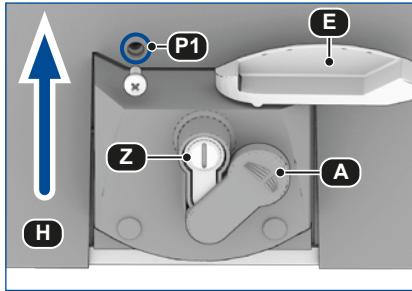
- There to unlock the operator:



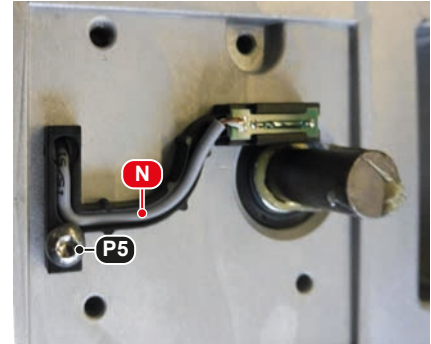
cut off the power supply of the equipment!

Lift and turn the cover of the cylinder lock (A). Insert the key into the lock (Z) and turn it clockwise until it stops rotating. By turning the release lever (E) as shown (180 °) the operator is unlocked.

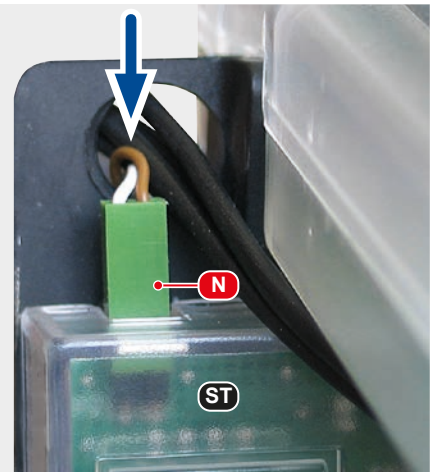
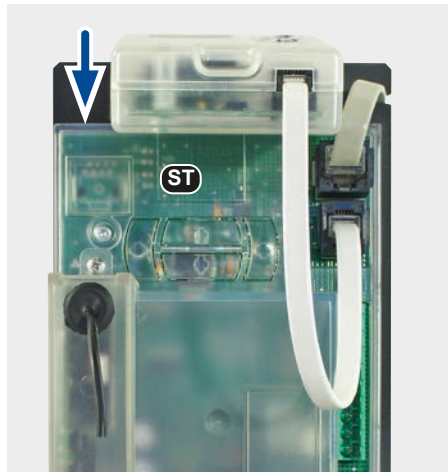
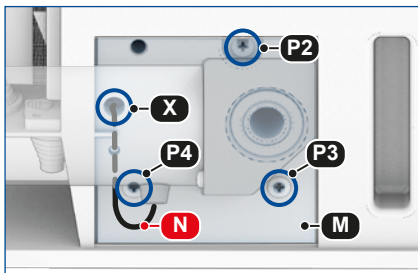
- After the screw (P1) is removed, the operator cover (H) can be taken off.



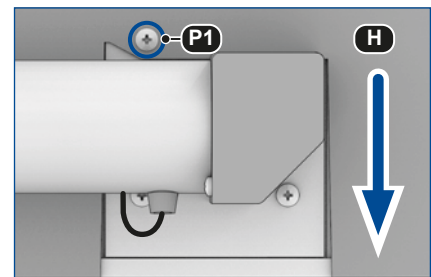
- After removing the rubber plugs (P3–4) and screws (P2–4), the complete emergency release can be lifted off. After loosening the screw (P5) the reed switch and the emergency release cable (N) can be removed. But first unplug the connector from the control board (ST).



- Guide the emergency release cable (N) of the emergency release motor through the rubber grommet in the opening (X) of the operator and plug it on the control board (ST) as shown.

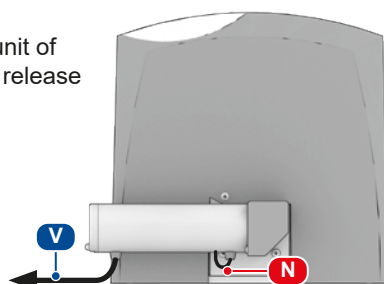


- Now place the electric emergency release with the mounting plate (M) on the operator and screw on the positions (P2–4).
- Put the cover of the operator (H) back and fix it with screw (P1).
- Guide the power cable (V) to the control unit of the electric emergency release and connect according to the connection diagram. (see electrical connection).



Guide the cables carefully. Never lay the cable in such a way that it can be damaged when the cover of the operator is put on. Make sure that the emergency release cable (N) is connected to the control board!

- N** emergency release cable
→ connect to control board of operator PULL T
- V** power supply cable
→ connect to control unit of electric emergency release (terminal block X2)





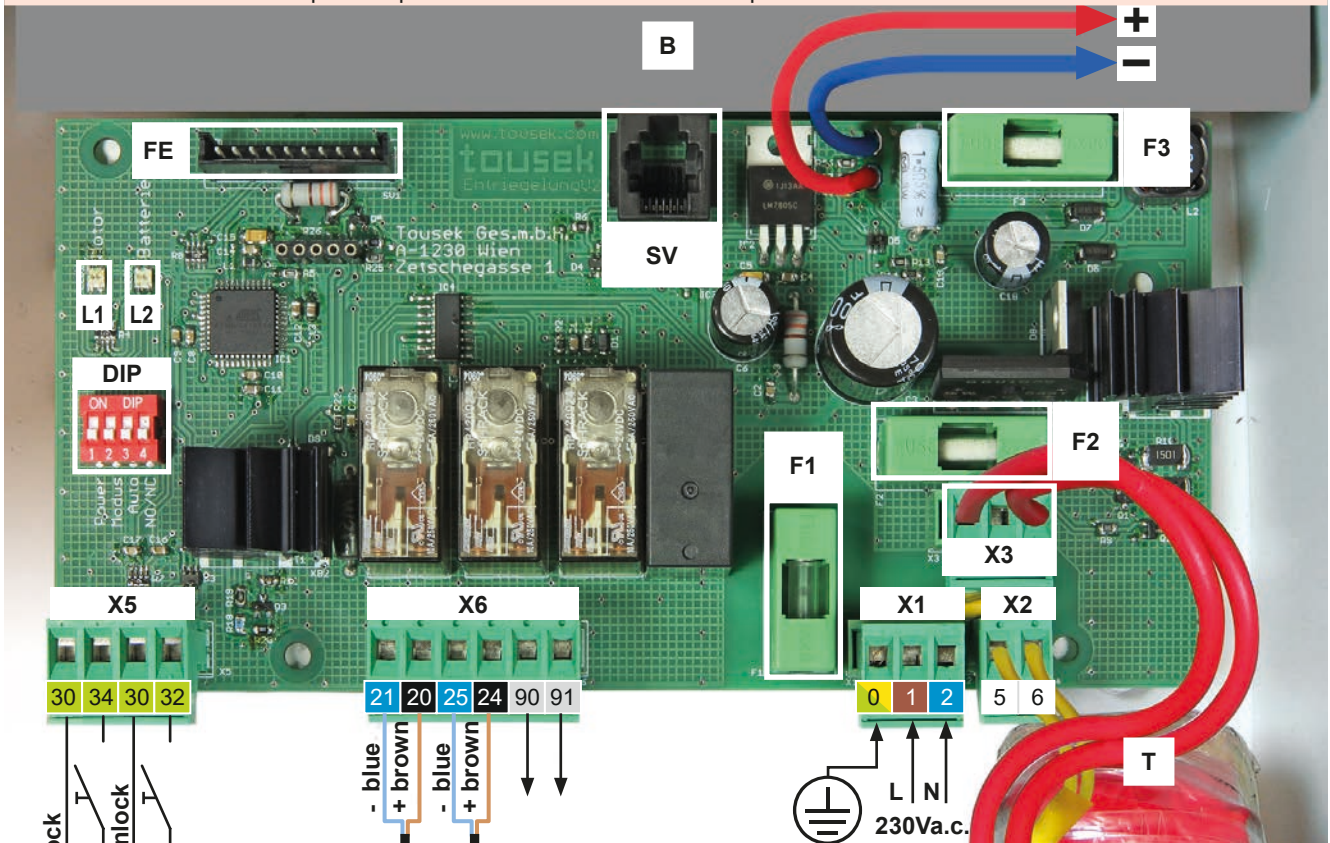
Danger

- Before electrical installation the power supply of the complete system (incl. control board) must be turned off.
- In order to avoid electrical stroke, the safety regulations need to be followed.
- The device may only be connected by trained professionals.
- The product is not suitable for installation in explosion hazardous areas!



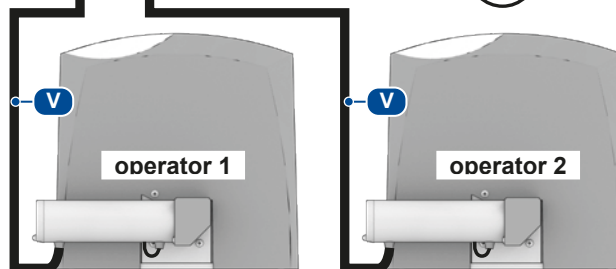
Pay attention to the correct polarity! - Wrong connection leads to damage of battery and control board!

- Before initial operation, the red cable needs to be connected to the positive pole.
- Connect the blue cable of the board to the minus pole.



Important

Slowly move the gate manually in its travel direction until you can hear the gearing re-engage!



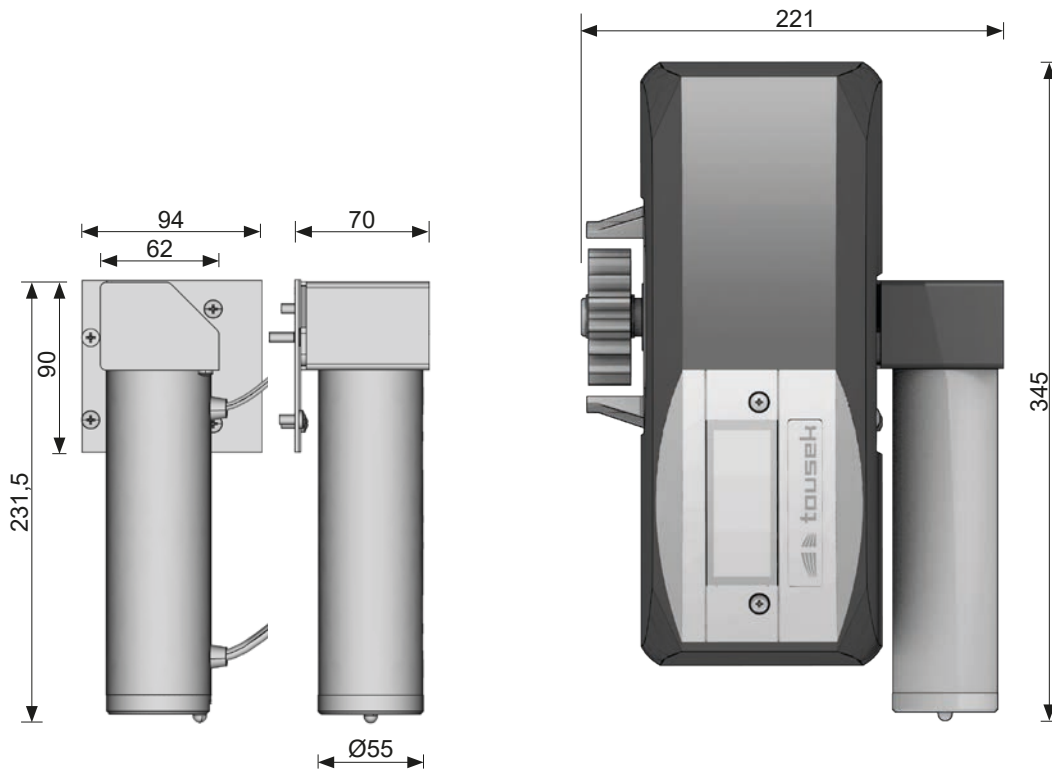
Important

If the gate system has only one operator installed, then connect the emergency release to terminal 21/20 (operator 1)!

- B** battery 24V d.c.
- T** transformer
- F1** fuse F 250mA
- F2** fuse T 1,5A
- F3** fuse F 10A
- SV** service connector
- X5** 30/32 input terminal unlock
30/34 input terminal lock
- X6** unlocking / locking motors
20/21 for operator 1
24/25 for operator 2
90/91 potential-free relay output
ON: unlocked, OFF: locked
contact load 230V/6A
- X1** power supply: 0: grounding, 1/2: 230Va.c.
- X2** 230V a.c. transformer primary
- X3** 24V a.c. transformer secondary

- L1** LED 1 red: unlocked / green: locked
 - L2** LED 2 3 coloured LED shows battery status
red: flat (0–50%) / orange: middle (51–90%) / green: full (91–100%)
OFF: battery defect
 - FE** slot for radio receiver (unlock / lock by radio system) for pluggable receiver STN2: 1. channel: unlock / 2. channel: lock
 - DIP** fourfold DIP-switch to set following options:
DIP 1 = ON !!! (for PULL T operators)
DIP 2: ON = 2 emergency release motors, OFF = 1 emergency release motor
DIP 3: ON = automatic unlocking after power failure
- ➔ If DIP 4 = ON the radio receiver slot (FE) is deactivated!**
- ➔ In order to lock again, a potential-free impulse is at terminal block 30/34 or radio impulse (2. channel) necessary!**
- DIP 4: ON = NC input (term. 30/32) for unlocking, term. 30/34 is not active!
OFF = NO input (term. 30/32. and term. 30/34 are active)

- dimensions in mm



emergency release - control board housing IP54



We reserve the right to change dimensions and technical specifications without prior notice!